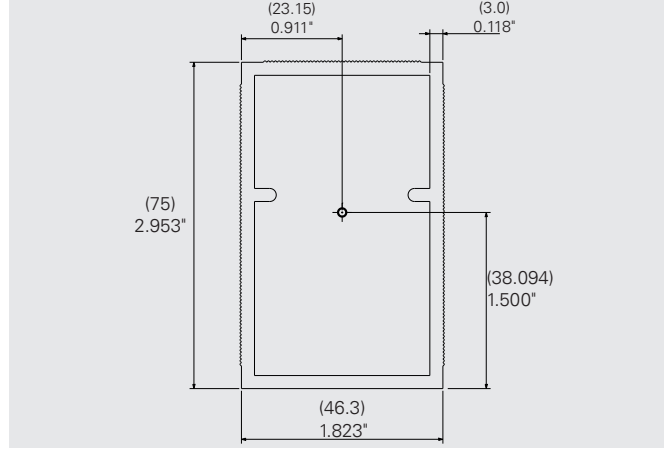


NVELOPE™ 3 mm Box rail



Product Selection

Material No.	Description	NAC Code	Material
1600066	Floor to floor box rail 3600 mm (141.73")	F2F-BR-36000	6005A-T6 Aluminum

Performance Data

Rail Material Properties

Young's Modulus	10,100 ksi (70 GPa)
Tensile Strength	38 ksi (260 MPa)
Shear Strength	24 ksi (165 MPa)
Tensile Yield	35 ksi (240 MPa)
Thermal Conductivity	1,310 Btu-in/ft ² -hr-°F (183 W/m-k)

Rail Section Properties

I _x	1.304 in ⁴ (543,284 mm ⁴)
I _y	0.641 in ⁴ (266,488 mm ⁴)
R _x	1.059 in (26.91 mm)
R _y	0.742 in (18.85 mm)
A	1.164 in ² (750.04 mm ²)
S _x	0.891 in ³ (14,615 mm ³)
S _y	0.696 in ³ (11,380 mm ³)