

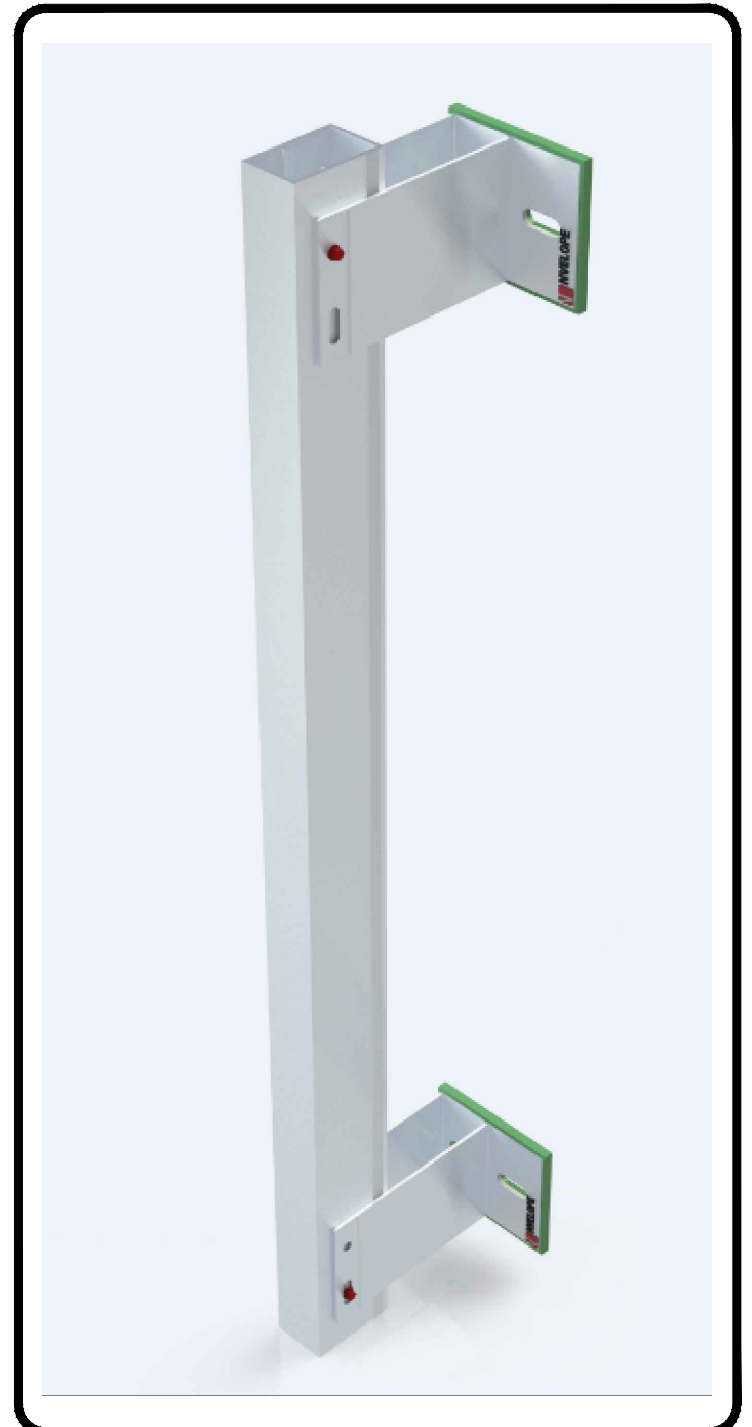
aluminium support system for
rainscreen cladding



NVELOPE F2F SYSTEM

CONTENTS:

F2F-00	NVELOPE system detail sheet
F2F-01	Tolerances for bracket adjustment
F2F-02	Rail and adaptor overview
F2F-03	System fastener overview
F2F-04	Cladding view locations
F2F-05	Isometric – System Assembly
F2F-06	Plan – Horizontal Brace
F2F-07	Section – Rail Joining
F2F-08	Section – Floor Slab Transition
F2F-09	Plan – Inside Corner
F2F-10	Plan – Vertical Panel Joint
F2F-11	Plan – External Corner



SFS Group USA, Inc. Division Construction 1045 Spring Street US-Wyomissing, PA 19610 T 844-Nvelope (683 5673) us.nvelope@sfs.com us.sfs.com	SFS - Canada 40 Innovation Drive Dundas, ON L9H 7P3 T +1 905 689 5401 ca.info@sfs.com ca.sfs.com
---	---

The following detail set was drawn
and scaled using millimeter units

SHEET

F2F-01

SHEET TITLE

Tolerances for Bracket Adjustment

F2F DETAIL SET



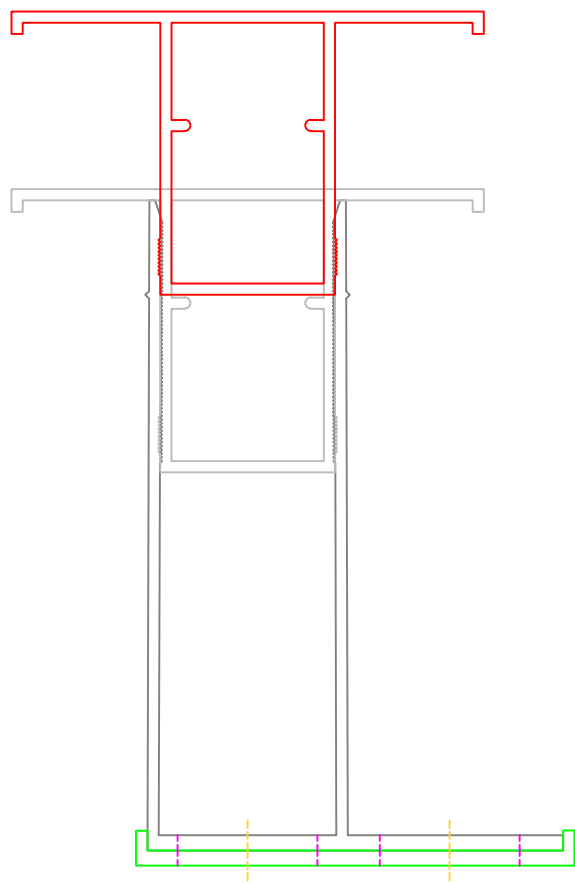
REVISION
IR

DATE
04.27.2022

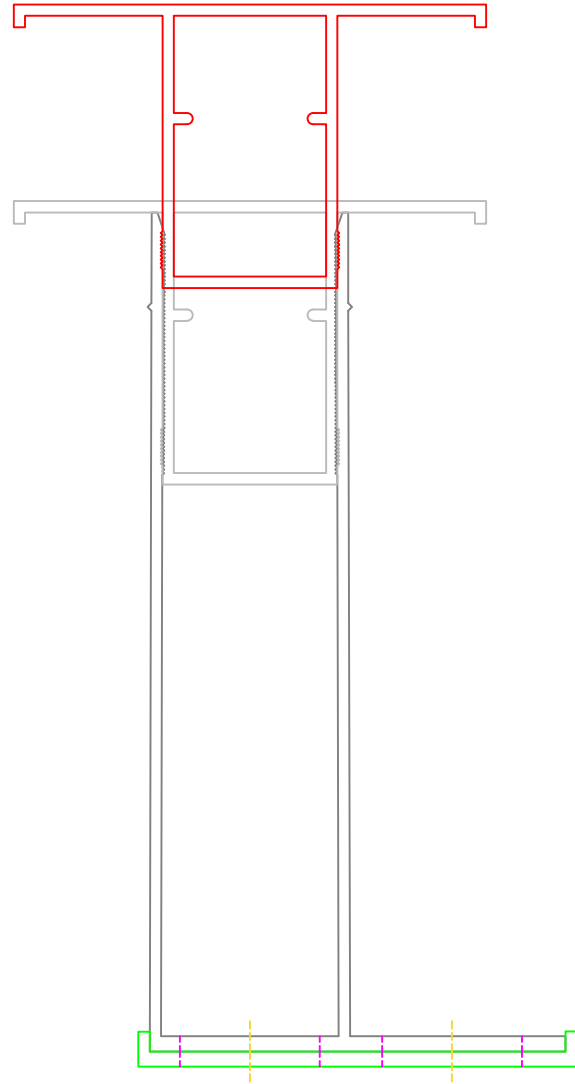
SCALE
1:2

NO:	BRACKET HEIGHT	MIN CAVITY	MAX CAVITY
B01	2.83" (72m)	3.90" (99mm)	5.20" (132mm)
B02	4.80" (122mm)	5.12" (130mm)	7.17" (182mm)
B03	6.77" (172mm)	7.09" (180mm)	9.13" (232mm)
B04	8.74" (222mm)	9.06" (230mm)	11.10" (282mm)

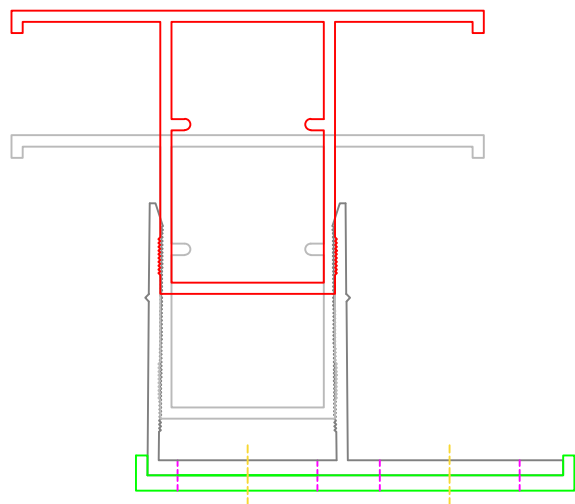
Brackets are made for concrete and CMU substrates. See installation instructions for more details.



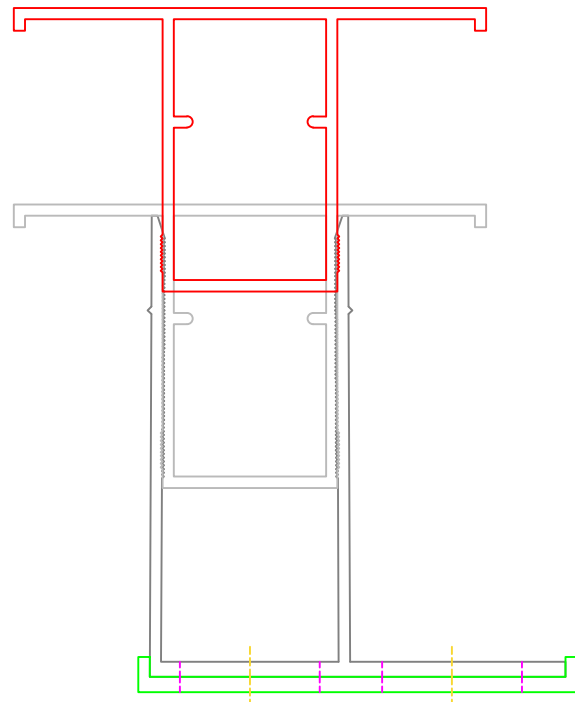
B03



B04



B01



B02

SHEET

F2F-02

SHEET TITLE

Rail and Adaptor Overview



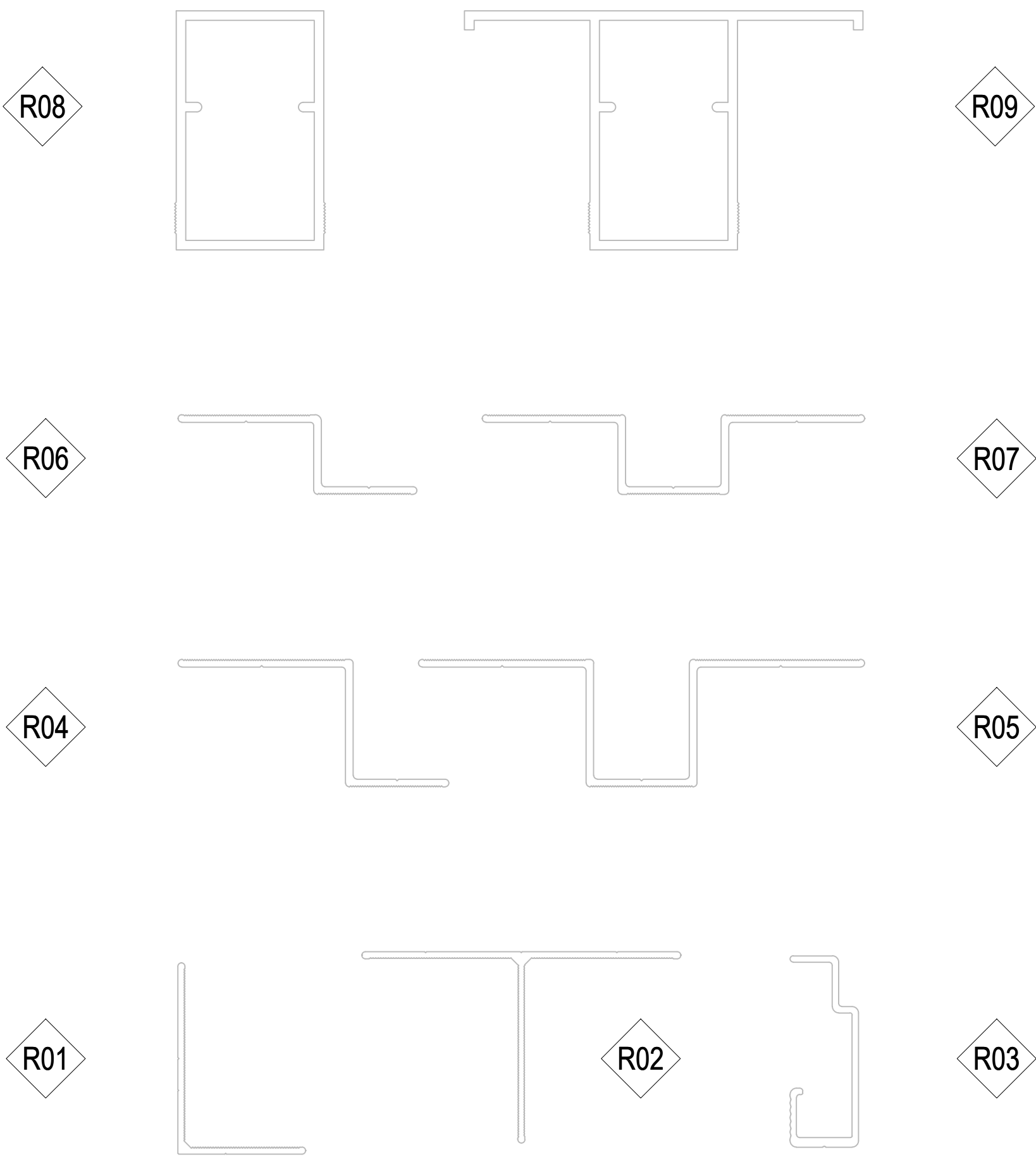
F2F DETAIL SET

REVISION
IR

DATE
04.27.2022

SCALE
1:1:5

NO:	DESCRIPTION	HEIGHT	FACE WIDTH (S)	THICKNESS	LENGTH
R01	L Rail	2 3/8" (60mm)	1 1/2" (40mm)	0.087" (2.2mm)	9' 10 1/8" (3m)
R02	T Rail	2 3/8" (60mm)	3 7/8" (100mm)	0.087" (2.2mm)	9' 10 1/8" (3m)
R03	NV3 Rail	2 3/8" (60mm)	27/32" (21.5mm)	0.079" (2mm)	9' 10 1/8" (3m)
R04	1 1/2" Zed Rail	1 1/2" (40mm)	2 1/8" & 1 1/8" (55mm / 30mm)	0.094" (2.4mm)	9' 10 1/8" (3m)
R05	1 1/2" Omega Rail	1 1/2" (40mm)	2 1/8" & 1 1/8" (55mm / 30mm)	0.094" (2.4mm)	9' 10 1/8" (3m)
R06	1" Zed Rail	1" (25mm)	1 3/4" & 1 1/8" (45mm / 30mm)	0.094" (2.4mm)	9' 10 1/8" (3m)
R07	1" Omega Rail	1" (25mm)	1 3/4" & 1 1/8" (45mm / 30mm)	0.094" (2.4mm)	9' 10 1/8" (3m)
R08	Box Rail	2 15/16" (75mm)	1 13/16" (46.3)	0.118" (3.0mm)	11' 9 3/4" (3.6m)
R09	Box T Rail	2 15/16" (75mm)	4 15/16" (125mm)	0.118" (3.0mm)	11' 9 3/4" (3.6m)



SHEET

F2F-03

SHEET TITLE

System Fastener Overview



F2F DETAIL SET

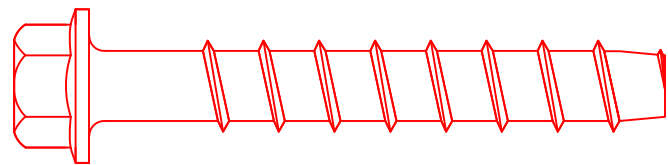
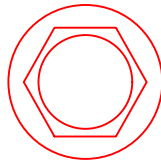
REVISION
IR

DATE
04.27.2022

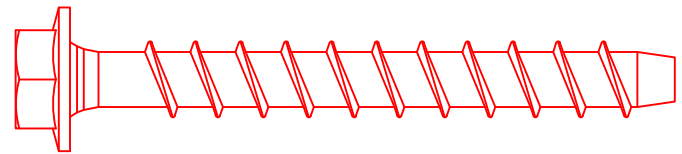
SCALE
1:1

NO:	TYPICAL USE & APPLICATION	LENGTH	DIAMETER	HEAD/DRIVE	POINT STYLE
F01	Nvelope Bracket to CMU Substrate	3" (75mm)	3/8" (10mm)	9/16" (14mm) HWH	Type B
F02	Nvelope Bracket to Concrete Wall	3 1/8" (80mm)	3/8" (10mm)	33/64" (13mm) HWH	Type B
F03	Nvelope Bracket to Rail Connection	2 3/4" (69.9mm)	5/16" (8mm)	33/64" (13mm) HWH	Bolt
F04	Aluminum Rail to Rail Connections	1 3/4" (45mm)	#12 (5.5mm)	5/16" (8mm) HWH	SD3 Self Drill
F05	Facade Panel to Rail	1 1/8" (29mm)	#12 (5.8mm)	5/8" (16mm) Dome	TYPE A
F06	Facade Panel to Rail	1 3/16" (30mm)	#12 (5.3mm)	5/8" (16mm) Dome	SD2 Self Drill
F07	Facade Panel to Rail	23/32" (18mm)	3/16" (5mm)	Rivet	Rivet

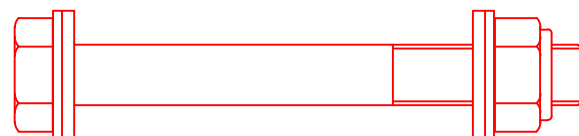
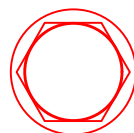
F01



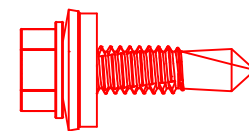
F02



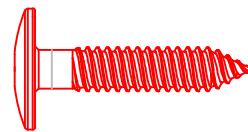
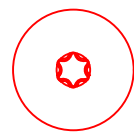
F03



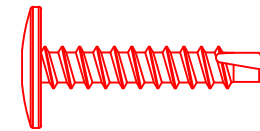
F04



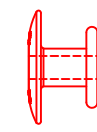
F05



F06



F07



SHEET

F2F-04

SHEET TITLE

Cladding View Locations

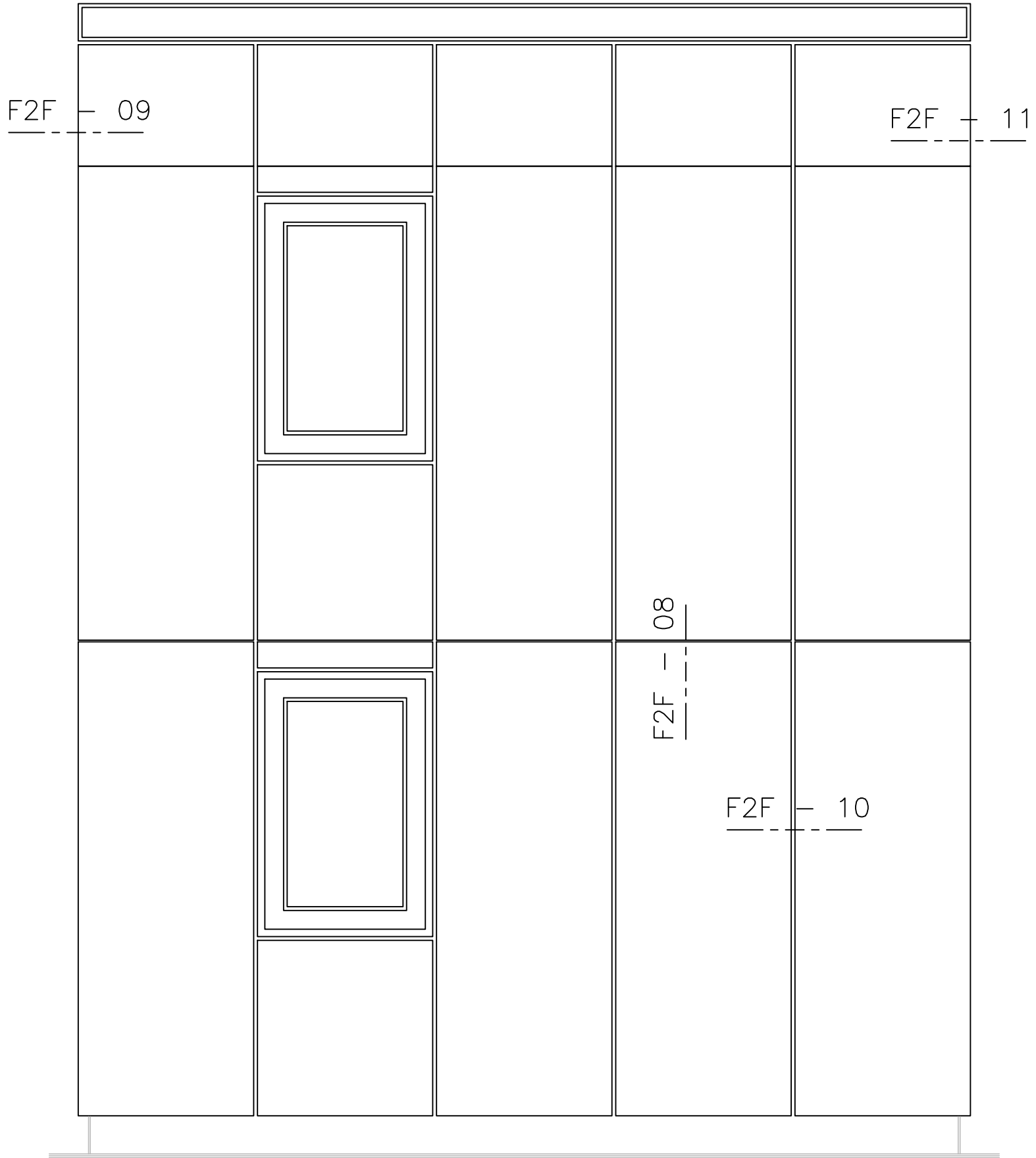


F2F DETAIL SET

REVISION
IR

DATE
04.27.2022

SCALE
1:34



SHEET

F2F-05

SHEET TITLE

System Assembly

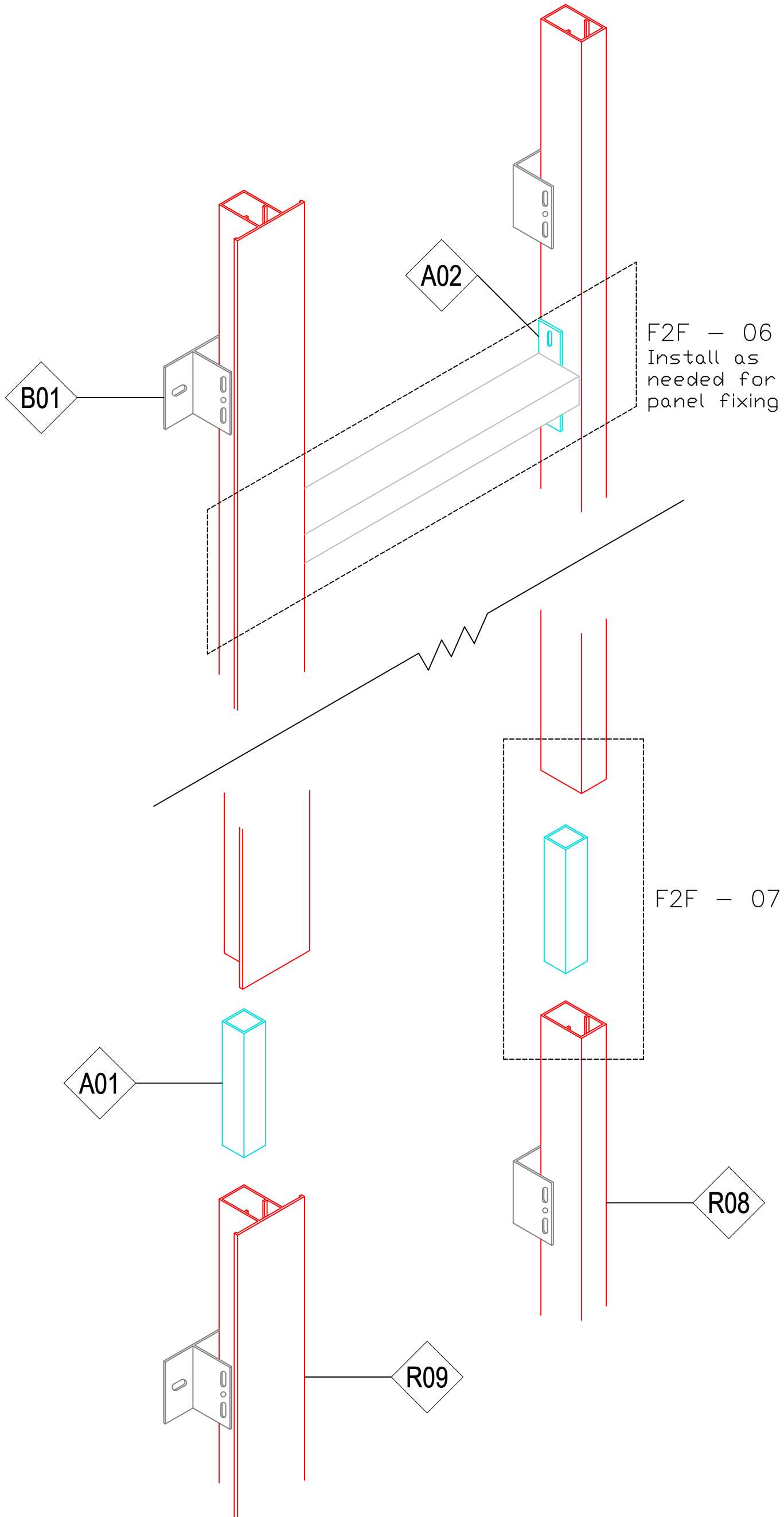


F2F DETAIL SET

REVISION
IR

DATE
04.27.2022

SCALE
1:7



SHEET

F2F-06

SHEET TITLE

Plan - Horizontal Brace

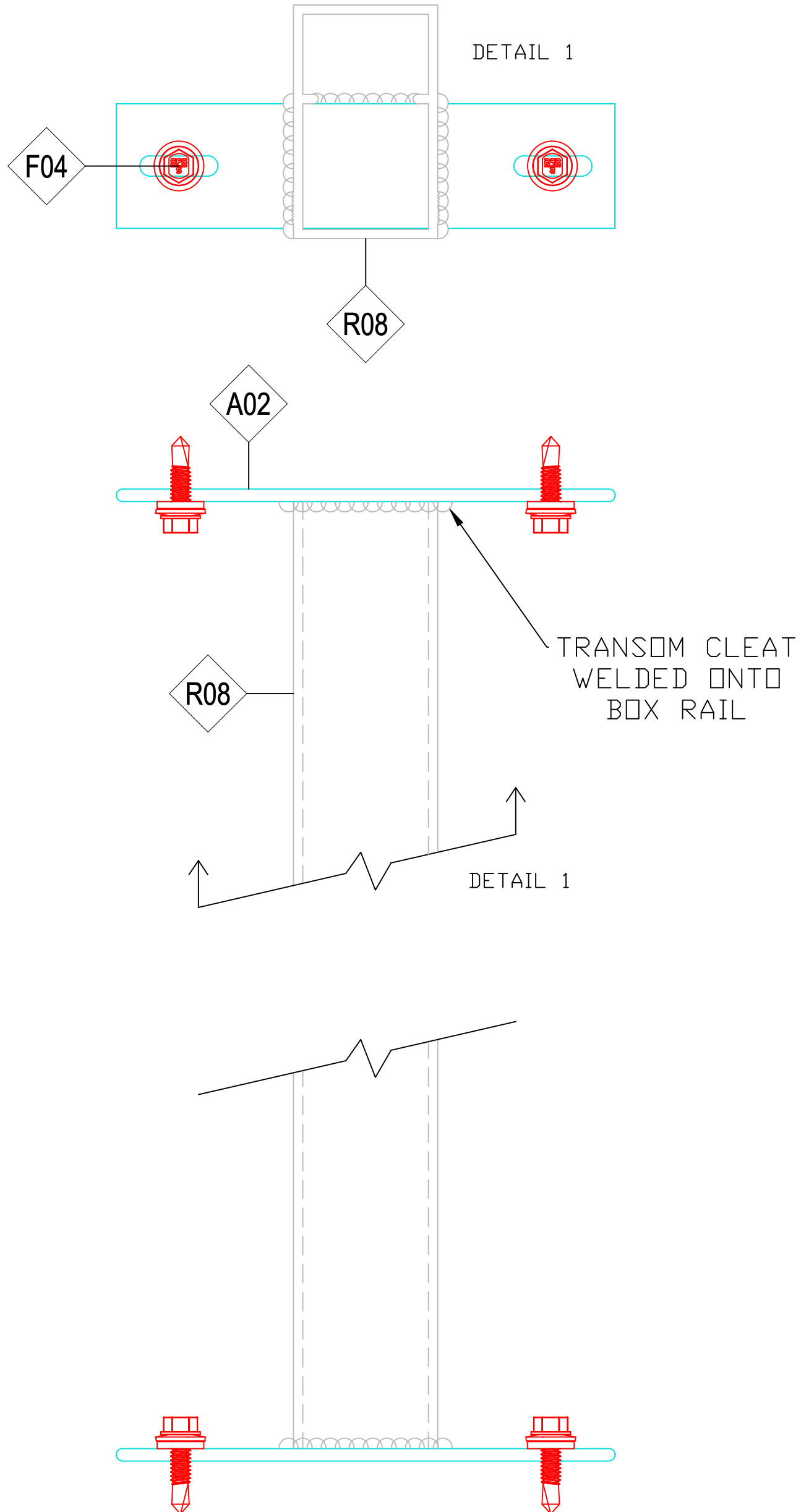


REVISION
IR

DATE
04.27.2022

SCALE
1:1.5

F2F DETAIL SET



SHEET

F2F-07

SHEET TITLE

Section - Rail Joining

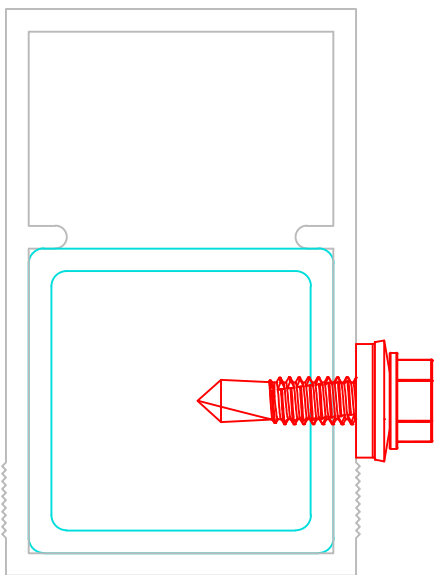
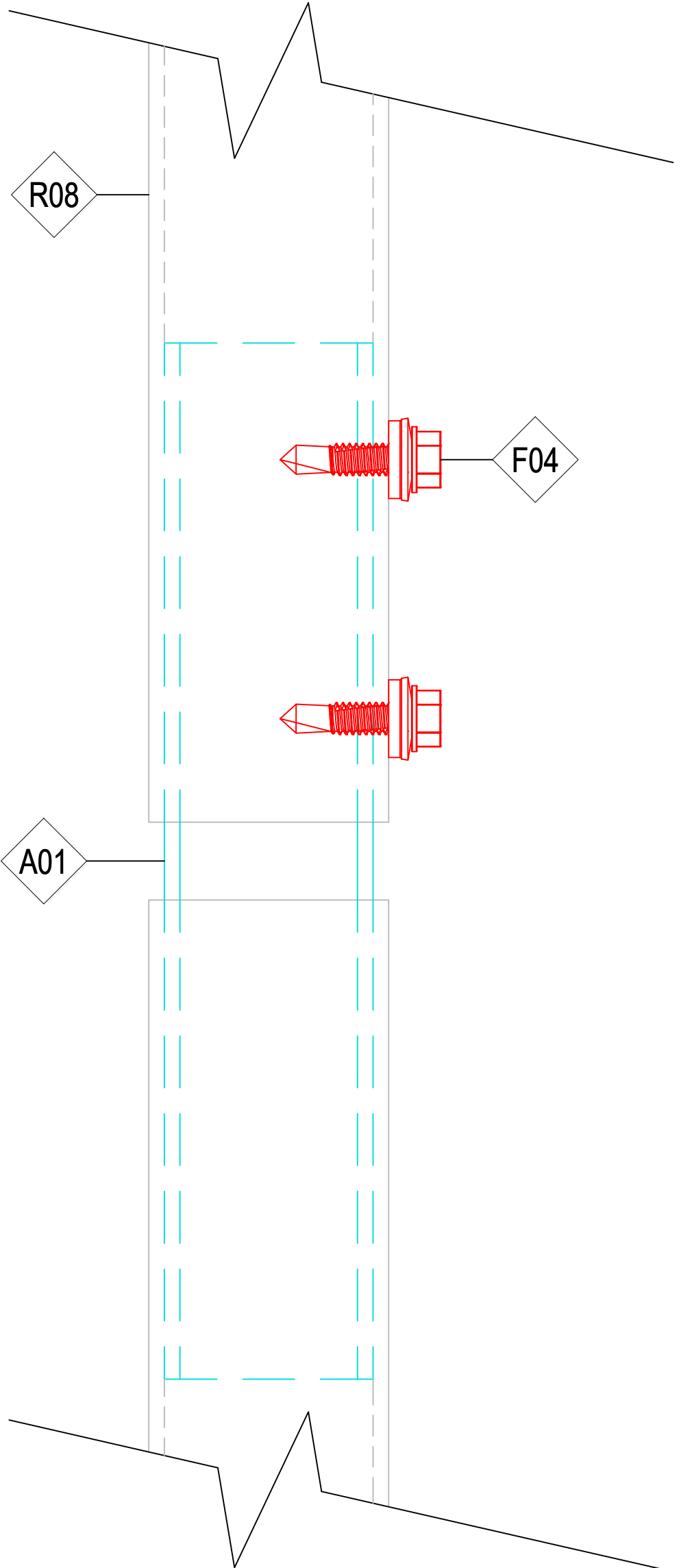


F2F DETAIL SET

REVISION
IR

DATE
04.27.2022

SCALE
1:1



SPIGOT ASSEMBLY

SHEET

F2F-08

SHEET TITLE

Section - Floor Slab Transition

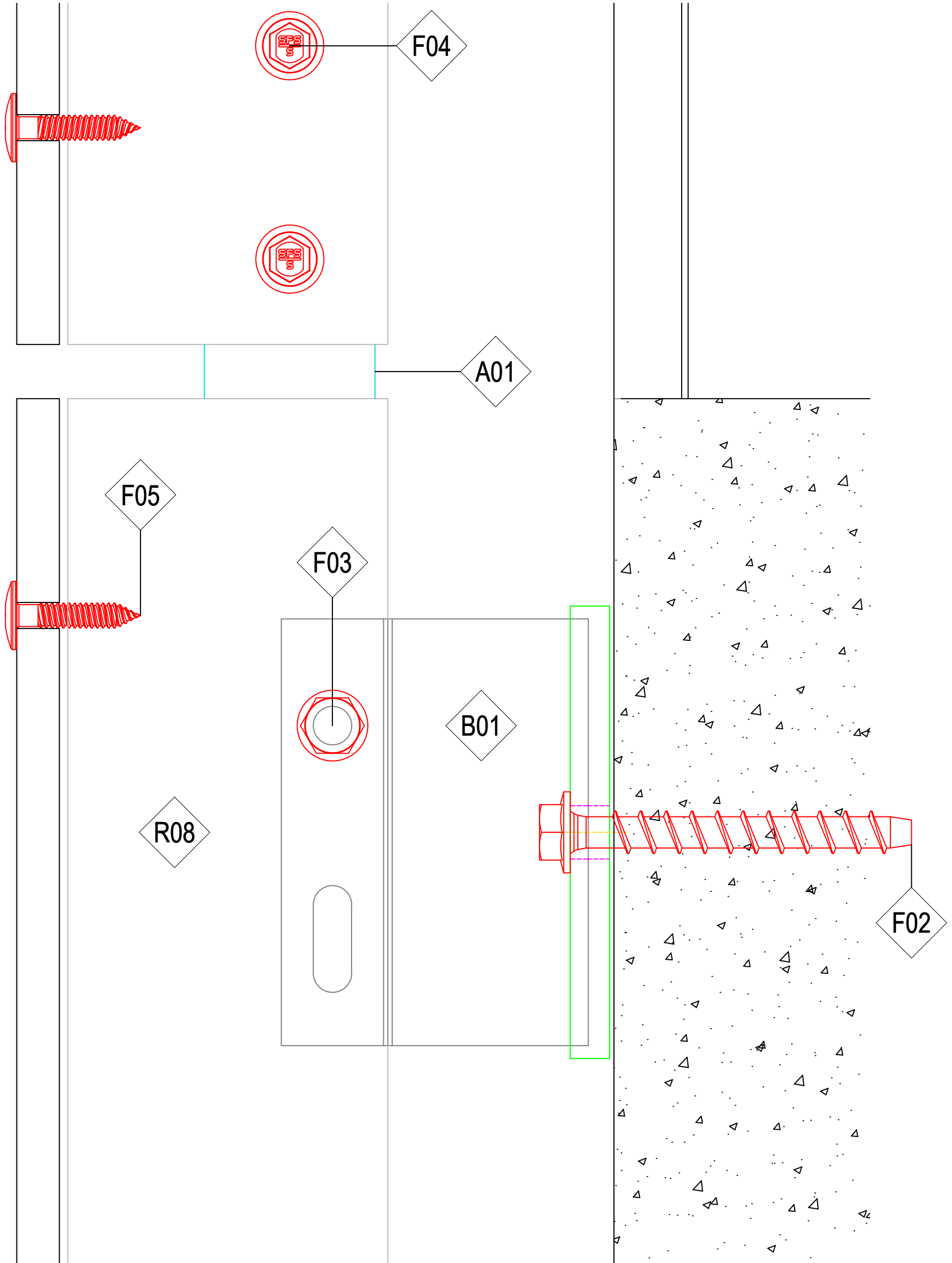


F2F DETAIL SET

REVISION
IR

DATE
04.27.2022

SCALE
1:1



SHEET

F2F-09

SHEET TITLE

Plan - Inside Corner

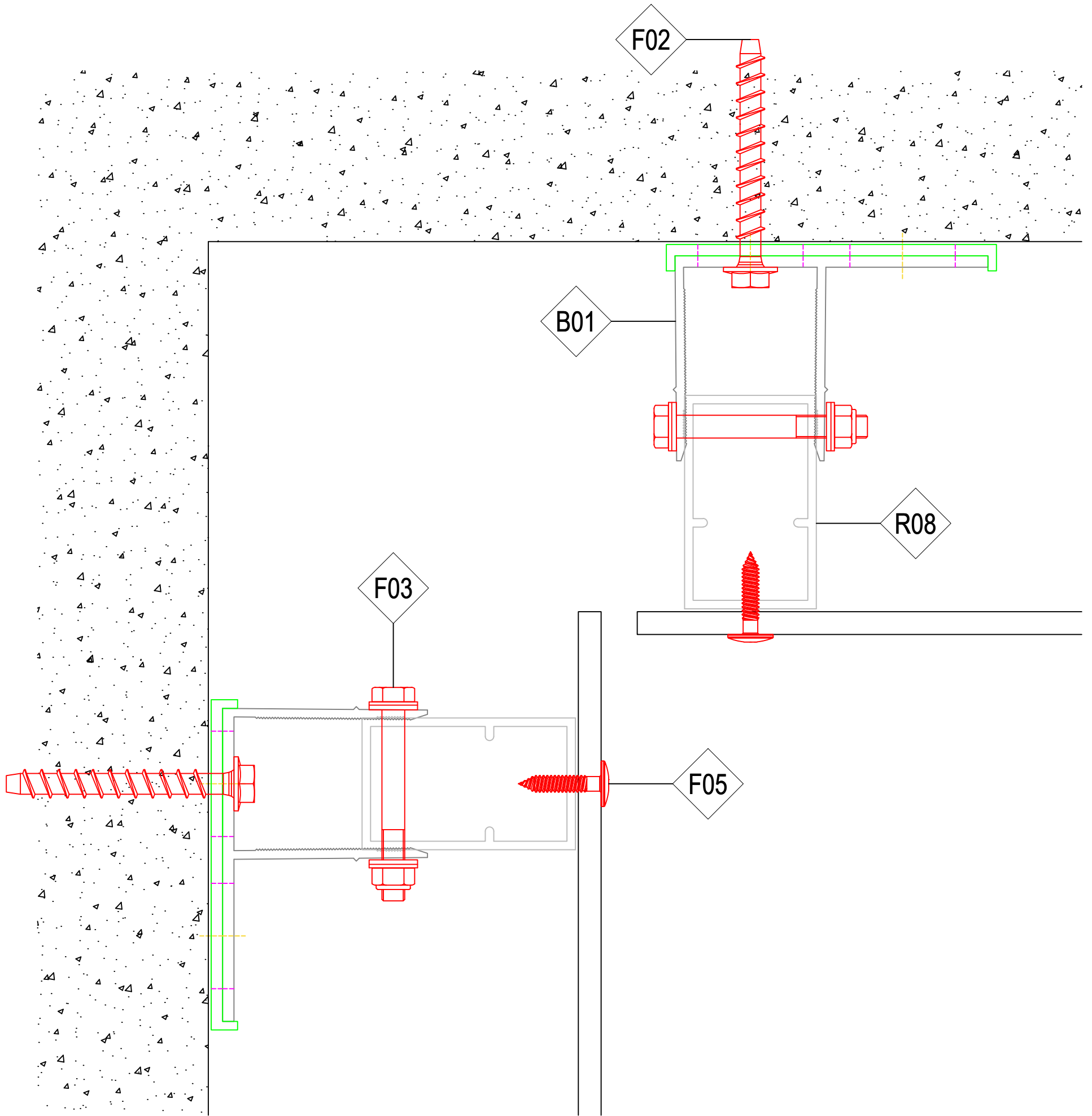


REVISION
IR

DATE
04.27.2022

SCALE
1:1.5

F2F DETAIL SET



SHEET

F2F-10

SHEET TITLE

Plan - Vertical Panel Joint

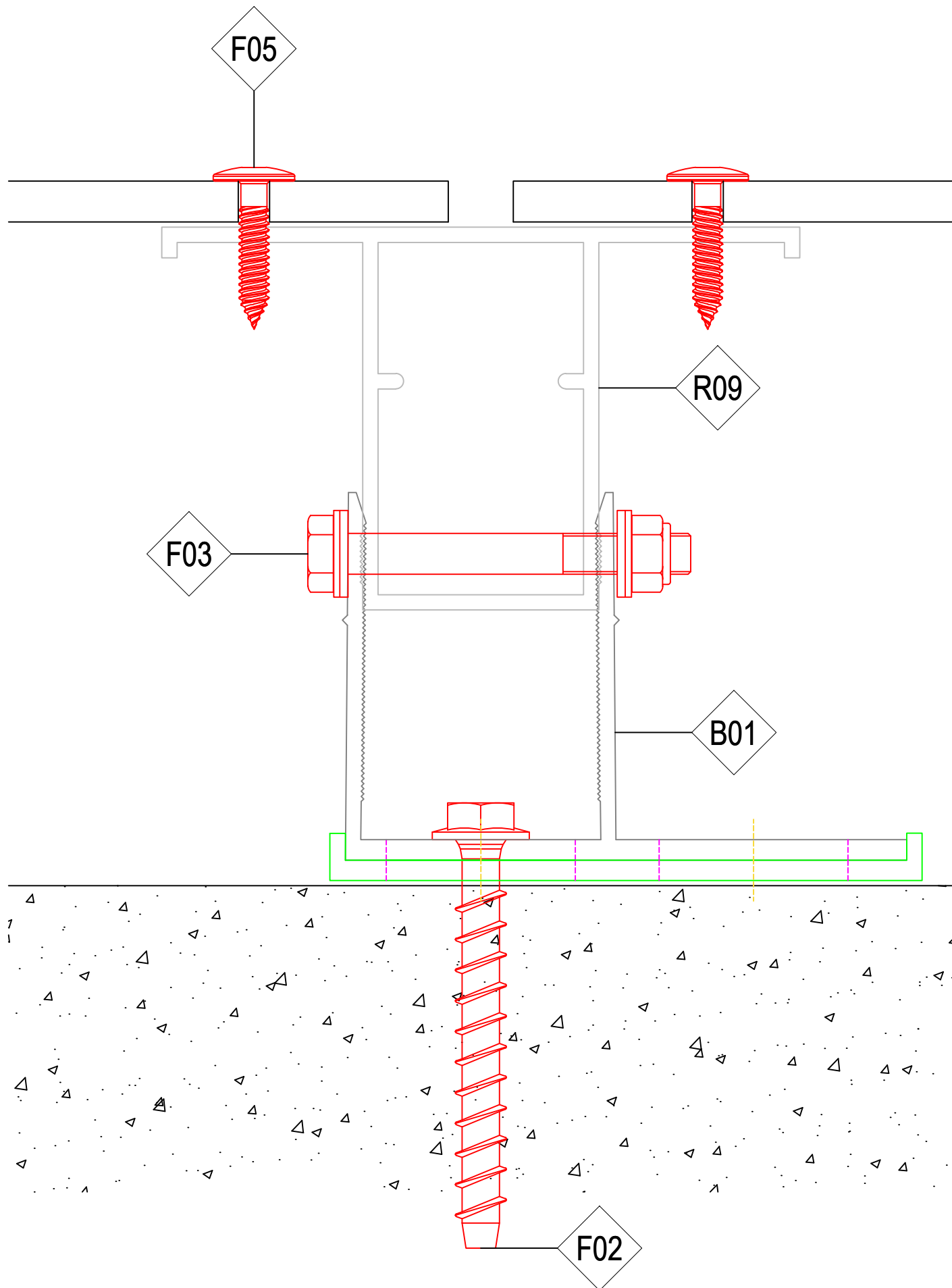


REVISION
IR

DATE
04.27.2022

SCALE
1:1

F2F DETAIL SET



SHEET

F2F-11

SHEET TITLE

Plan - External Corner



REVISION
IR

DATE
04.27.2022

SCALE
1:1.5

F2F DETAIL SET

