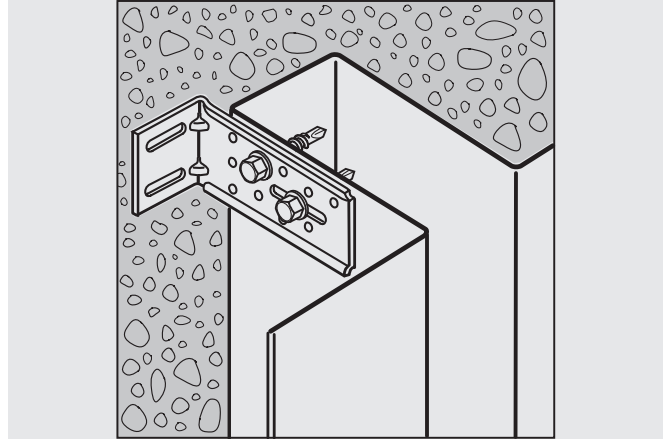


# 1/4-14 SD2 Bi-Met 300<sup>®</sup> Subframe Attachment



### Features and Benefits

- Bi-metal fastener design allows for higher drilling capacity while maintaining the corrosion resistance properties of stainless steel
- Silver VistaCoat<sup>®</sup> provides a barrier to help prevent galvanic corrosion when used with aluminum
- High ductility reduces delayed embrittlement failures

### Application

- Light and medium gauge metal connections
- Curtain wall and building envelope attachments
- Dissimilar metal connections

### Approvals

- Listed on Intertek CCRR-0387 report



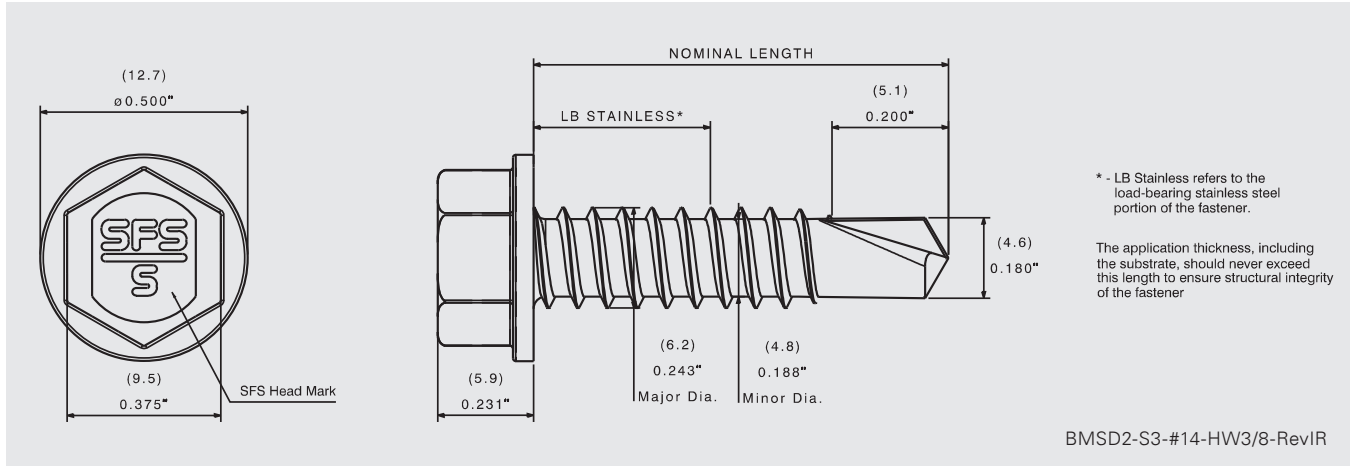
### Product Selection

Material No.	Fastener Length		Load Bearing Length		Description	Carton Wt. (lbs.)	Carton Qty.
	(in)	(mm)	(in)	(mm)			
1557694	1"	25	0.47"	12	BMSD2-S3-#14x1-HW3/8	32	2,000
1557696	1-1/2"	38	0.97"	24	BMSD2-S3-#14x1-1/2-HW3/8	30	1,500
1557698	2"	51	1.44"	37	BMSD2-S3-#14x2-HW3/8	25	1,000

Product bagged 250 pieces, unless otherwise noted.



# 1/4-14 SD2 Bi-Met 300<sup>®</sup> Subframe Attachment



## Product Specifications

Diameter: 1/4" (6.2 mm)  
Threads Per Inch: 14  
Head Style: HWH 3/8" (9.5 mm) AF  
Material: 304SS

Drill Point: SD2  
Drill Capacity: 0.105" (2.7 mm) Max Steel  
0.125" (3.2 mm) Aluminum  
Thread Major Dia: 0.243" (6.2 mm)  
Thread Minor Dia: 0.188" (4.8 mm)

## Performance Data<sup>1,2,3</sup>

### Material Strength

Tensile	3623 lbf / 16116 N
Shear	2620 lbf / 11654 N
Torsional*	140 lbf-in / 15.4 N·m

\* Torsional values for Stainless Steel section only.

<sup>1</sup> CCRR-0387

<sup>2</sup> See CCRR-0387 for allowable loads.

<sup>3</sup> PLK 22217

### Pull Out Strength Steel

<b>20 Ga (0.9 mm)<sup>a</sup></b>	330 lbf / 1468 N
<b>18 Ga (1.2 mm)<sup>a</sup></b>	439 lbf / 1953 N
<b>16 Ga (1.5 mm)<sup>b</sup></b>	697 lbf / 3100 N
<b>14 Ga (1.9 mm)<sup>b</sup></b>	895 lbf / 3981 N
<b>12 Ga (2.7 mm)<sup>b</sup></b>	1221 lbf / 5431 N

<sup>a</sup> 33 ksi

<sup>b</sup> 50 ksi

### Pull Out Strength Aluminum

<b>1/8" (3.2 mm) 6063-T5</b>	771 lbf / 3430 N
------------------------------	------------------

## Installation and Application Considerations

Install fasteners with 0–2000 RPM screw driver equipped with depth sensing nose piece.

**Use of impact guns or hammer drills is not recommended.**

US  
T 800 234 4533  
us.sfs.com

Canada  
T 866 847 5400  
ca.sfs.com

Metric values are approximate conversions.

All information is non-binding and without guarantee. Before using the products, all specifications and calculations must be checked by a suitably qualified person and local regulations must be observed. This document is subject to revision. We reserve the right to make technical changes. (07/2021, V1.01)