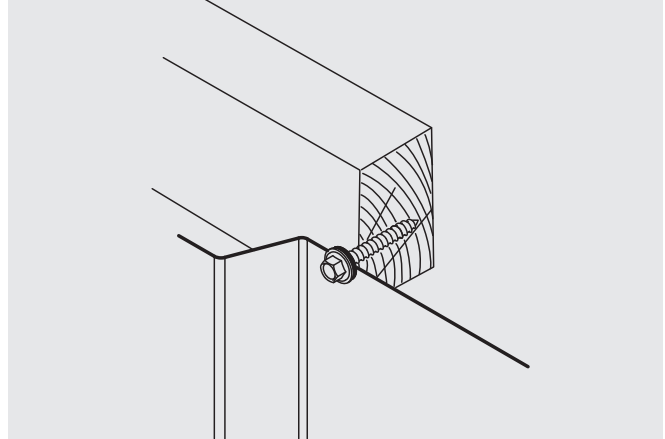


#9-15 Woodgrip Metal to Wood Fastener



Features and Benefits

- High hex washer head provides driving stability
- Sharp point for fast installation
- Assembled control seal washer
- VistaCoat® premium coating system
- VistaCoat® limited warranty

Application

Metal panel to wood

Product Selection

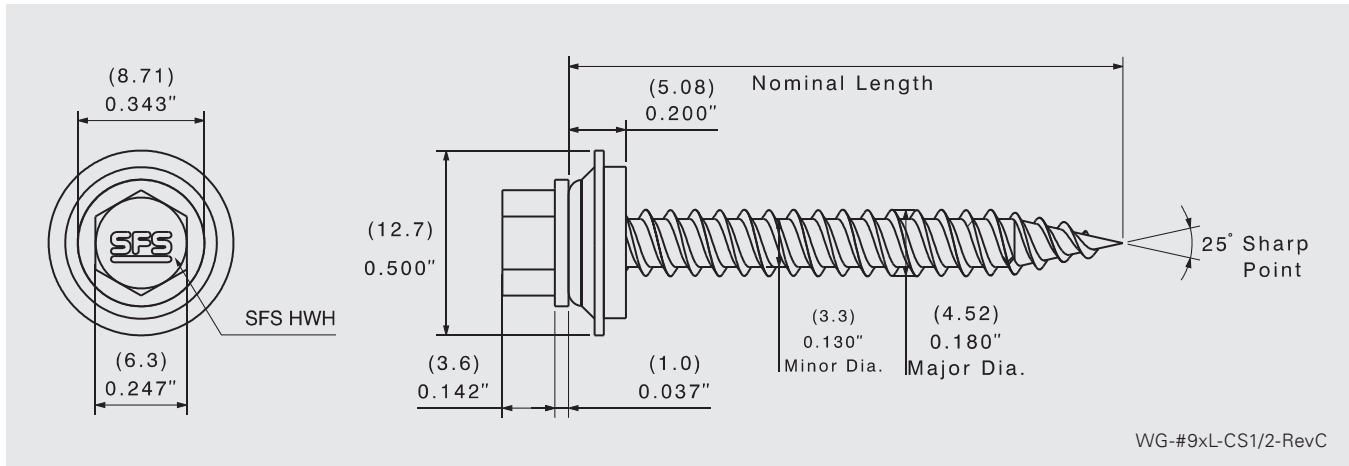
Material No.	Fastener Length		Thread Length*	Description	Carton Wt. (lbs.)	Carton Qty.
	(in)	(mm)				
1300564	1"	25	Full	WG-#9x1-CS1/2	26	3,000
1300771	1-1/2"	38	Full	WG-#9x1-1/2-CS1/2	27	2,500
1301007	2"	51	Full	WG-#9x2-CS1/2	27	2,000
1301151	2-1/2"	64	Full	WG-#9x2-1/2-CS1/2	24	1,500
1301264	3"	76	Full	WG-#9x3-CS1/2	18	1,000

Plain product bagged 250 pieces, unless otherwise noted.

*Note – Thread length measured from tip of the drill point to end of the threads.



#9-15 Woodgrip Metal to Wood Fastener



WG-#9xL-CS1/2-RevC

Product Specifications

Diameter: #9 (4.52 mm)
 Threads Per Inch: 15
 Head Style: 1/4" dia. HWH AF (6.3 mm)
 Washer: 1/2" Galvanized and EPDM control seal (12.7 mm)

Drill Point: Sharp point
 Drill Capacity: 24 ga. (0.6 mm)
 Thread Major Dia: 0.180" (4.52 mm)
 Thread Minor Dia: 0.130" (3.3 mm)

Performance Data^{1,2,3}

Material Strength

Tensile	1751 lbf / 7789 N
Shear	1223 lbf / 5440 N
Torsional	60 lbf-in / 6.78 N·m

Pull Out Strength Wood: SPF

1" (25.4 mm) penetration	542 lbf / 2411 N
1-1/2" (38.1 mm) penetration	748 lbf / 3327 N

Pull Over Strength

29 Ga (0.3 mm)	577 lbf / 2567 N
26 Ga (0.5 mm)	637 lbf / 2834 N
24 Ga (0.6 mm)	800 lbf / 3559 N

¹ Pull out strength values may vary from tested loads depending upon specific wood density variations.

² Pull over strength values are based on metal panel ksi values: 29 ga. (100 ksi), 26 ga. (70 ksi), 24 ga. (70 ksi).

³ SFS [4899.12, 4954.12, 4381.07]

Installation and Application Considerations

Tools: 0–2500 rpm screw gun equipped with depth sensing nose piece.

Use of impact guns or hammer drills is not recommended.

Special care needs to be taken when installing #9 Woodgrip fasteners into wood substrate less than 1" in thickness. Stripping or partially stripping the fastener out during installation compromises the clamp load and can affect the performance of the fastener.